



**BRISTOL
ENGINEERING
PRACTICE**

Adoption Standards in Bristol
TREES AND ROOTS 1

DRAWING NUMBER

Drawing

SD 04-019

Revision

C

Drawn by

SDK

Scale

NTS

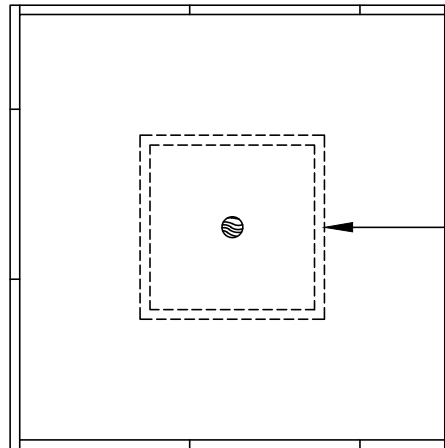
Date Drawn

SEP 2013

Brunel House, St George's Rd, Bristol BS1 5UY

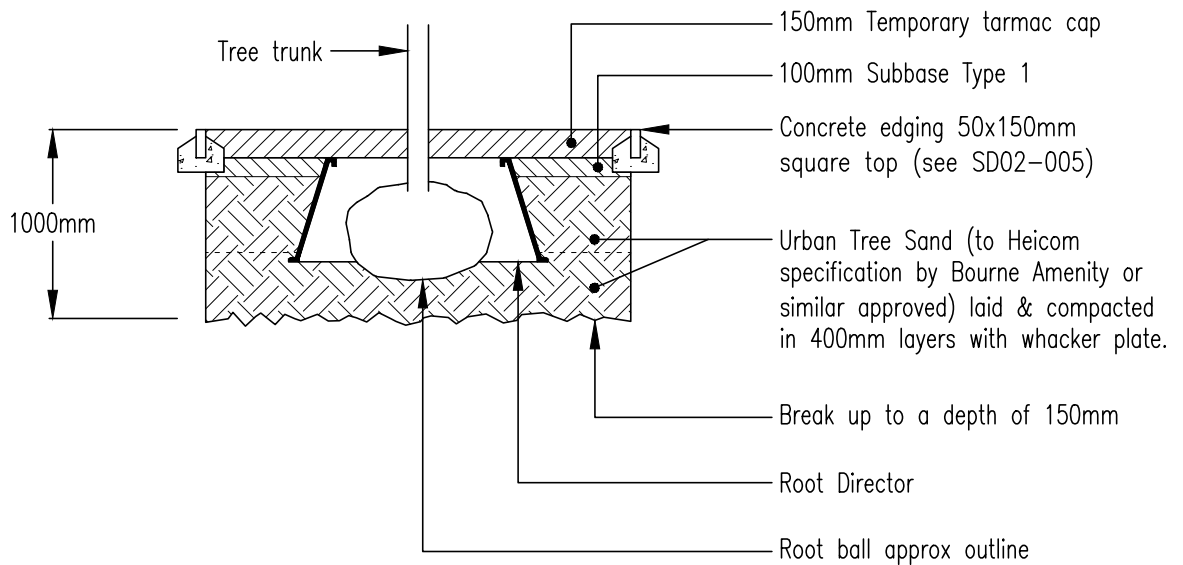
Tel: 0117 92 22000 Fax: 0117 92 23765

STREET TREE PIT



Root Director

Tree Pit dimensions:
1.0 x 1.0m; or
1.5 x 1.5m; or
2.0 x 2.0m



1000mm

Root Director (by Greenleaf or similar accepted)		
Pit	Width mm	Depth mm
1.0 x 1.0 m	975	545
1.5 x 1.5 m	1370	545
2.0 x 2.0 m	1370	545

The pit will be finished with a temporary sealed surface. A tree will subsequently be planted by another contractor.